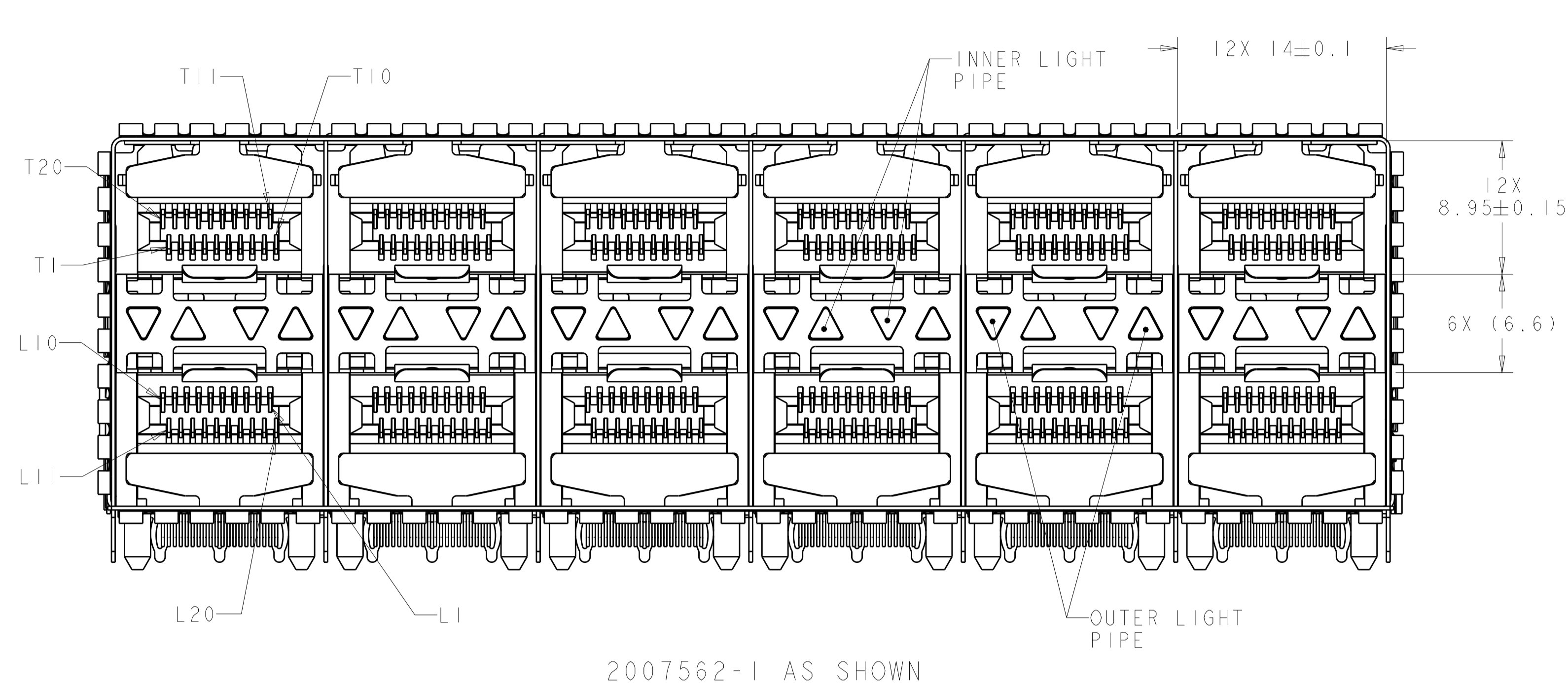
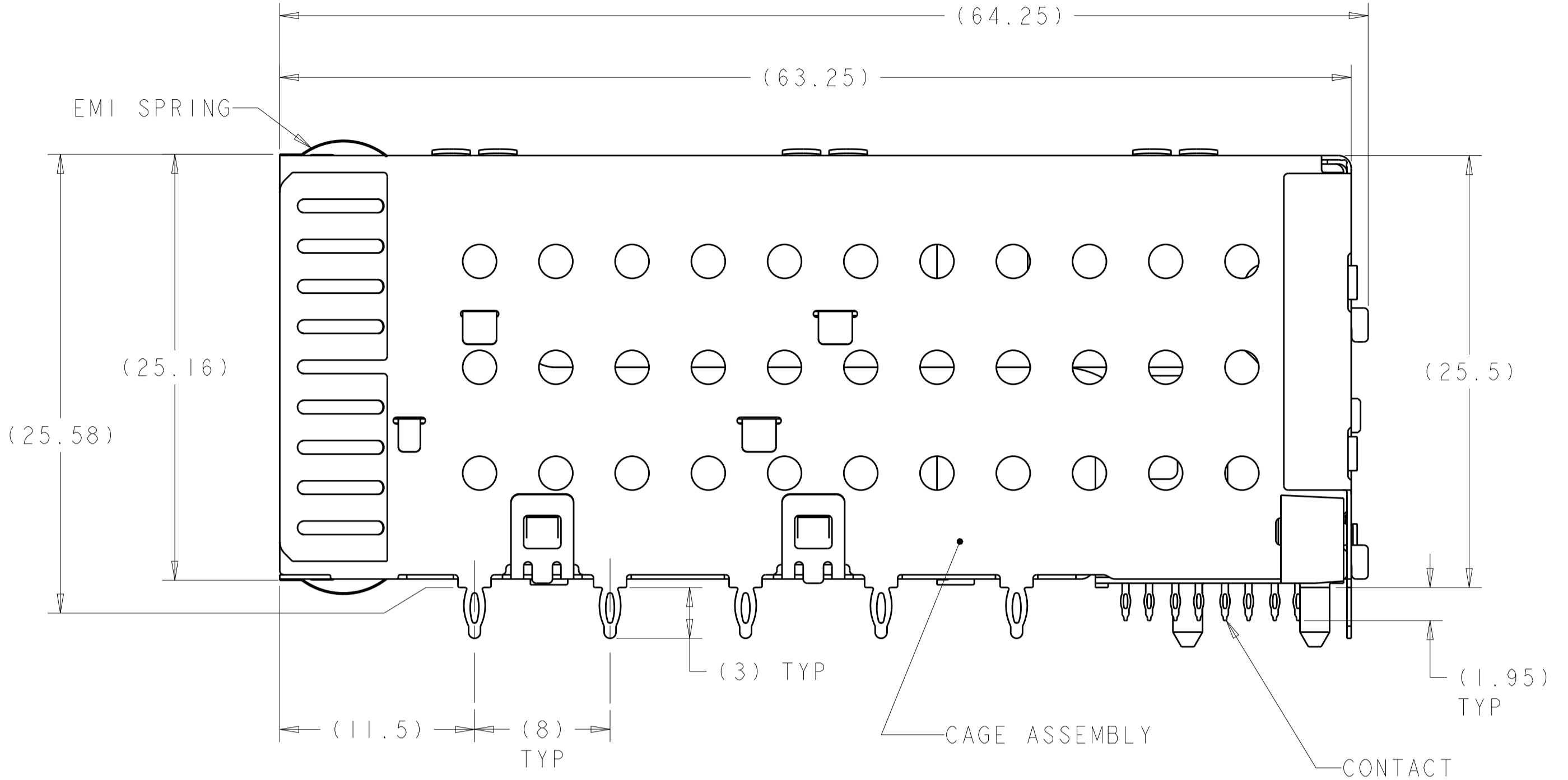


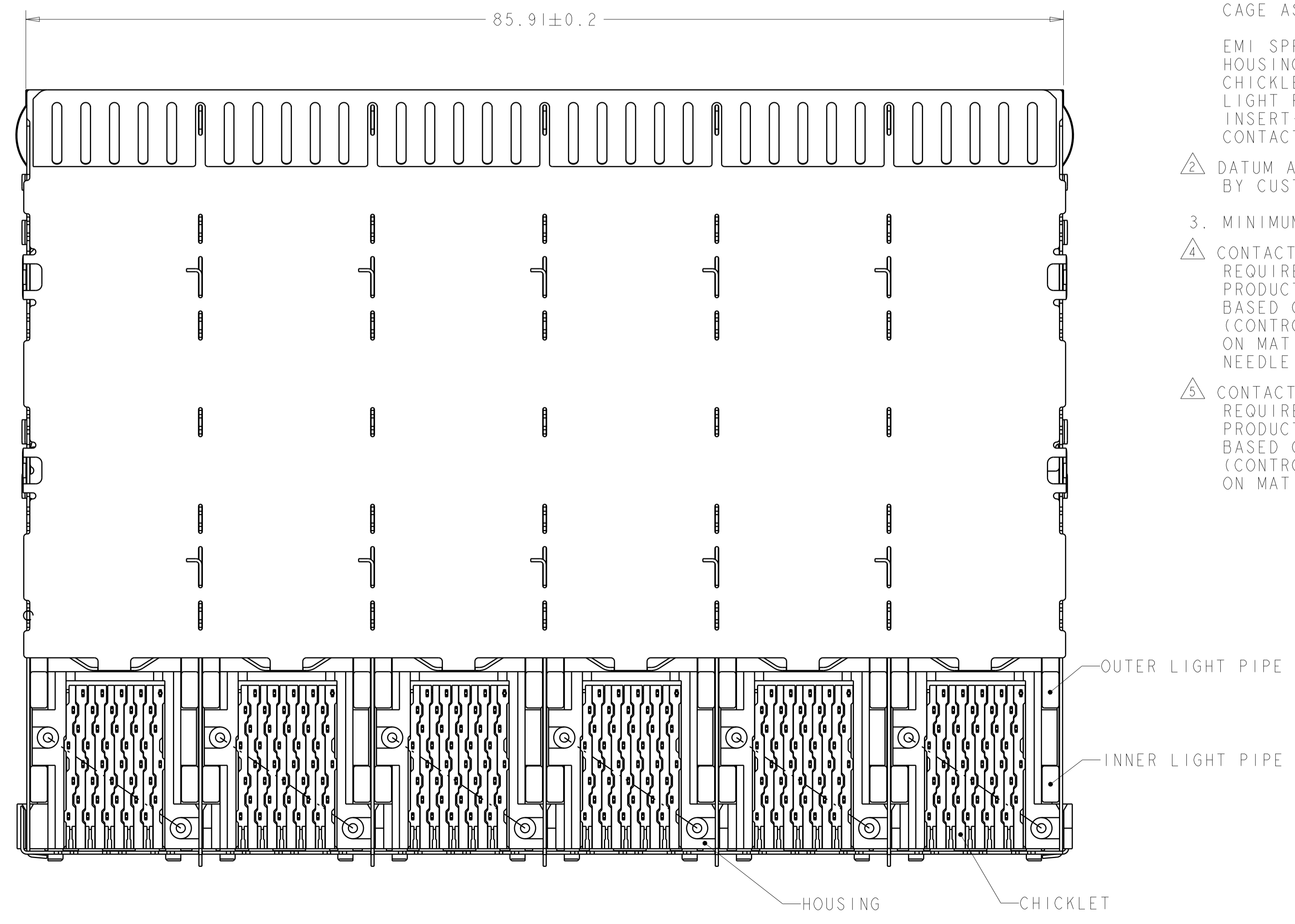
| LOC | DIST | REVISIONS | | | | | |
|-----|------|-----------|-----|---------------------------|-----------|-----|------|
| GP | 00 | P | LTN | DESCRIPTION | DATE | DWN | APVD |
| | | C | | REVISED PER ECO-11-020849 | 11JAN2011 | CJV | PAR |
| | | C1 | | REVISED PER ECO-13-003678 | 09APR2013 | CJV | PAR |



2007562-1 AS SHOWN



- △ MATERIALS:
CAGE ASSEMBLY- NICKEL SILVER ALLOY PER ASTM B 122.
EMI SPRING- COPPER ALLOY.
HOUSING- BLACK LCP, UL 94V-0 RATED.
CHICKLET- BLACK LCP, UL 94V-0 RATED.
LIGHT PIPE- POLYCARBONATE, CLEAR.
INSERT- PBT, BLACK, UL 94V-0.
CONTACT- COPPER ALLOY.
- △ DATUM AND BASIC DIMENSIONS ESTABLISHED BY CUSTOMER.
- 3. MINIMUM PCB THICKNESS OF 1.5.
- △ CONTACT FINISH- CONFORMS TO THE REQUIREMENTS OF TYCO ELECTRONICS PRODUCT SPECIFICATION 108-2331, BASED ON EIA/ECA-364-1000.01A, (CONTROLLED ENVIRONMENT APPLICATIONS) ON MATING INTERFACE, TIN-LEAD ON NEEDLE EYE.
- △ CONTACT FINISH- CONFORMS TO THE REQUIREMENTS OF TYCO ELECTRONICS PRODUCT SPECIFICATION 108-2331 BASED ON EIA/ECA-364-1000.01A, (CONTROLLED ENVIRONMENT APPLICATIONS) ON MATING INTERFACE, TIN ON NEEDLE EYE.
- △ FOR HOLE SIZE AND PLATINGS, SEE APPLICATION SPEC 114-13219.
- △ THE ENTIRE AREA OF THE CONNECTOR FOOTPRINT, INDICATED BY THE DASHED LINE, TO BE CONSIDERED THE KEEPOUT AREA FOR COMPONENTS AND SIGNAL TRACES, TOP SIDE ONLY. TOP SIDE TRACES ALLOWED WITHIN CONNECTOR HOLE PATTERN.
- △ LIGHT PIPE PAD LAYOUT IS FOR 0805 LOW PROFILE LED PACKAGE WITH A HEIGHT OF 0.8mm.
- △ EMI SPRING FINISH: 0.8µm MINIMUM MATTE TIN OVER 0.8µm MINIMUM NICKEL, NONPLATED EDGES PERMISSIBLE.
- △ ADDITIONAL COMPONENT LOCATED WITHIN LATCH PLATE FOR EMI SUPPRESSION.



| ENHANCED EMI | FINISH | DESCRIPTION | PART NUMBER |
|--------------|--------|----------------------|-------------|
| YES | △10 | NO LIGHT PIPES | 1-2007562-8 |
| | | OUTER 2 LIGHT PIPES | 1-2007562-7 |
| | | INNER 2 LIGHT PIPES | 1-2007562-6 |
| NO | △5 | 4 LIGHT PIPES | 1-2007562-5 |
| | | NO LIGHT PIPES | 2007562-8 |
| | | OUTER 2 LIGHT PIPES | 2007562-7 |
| NO | △4 | INNER 2 LIGHT PIPES | 2007562-6 |
| | | 4 LIGHT PIPES | 2007562-5 |
| | | NO LIGHT LIGHT PIPES | 2007562-4 |
| | | OUTER 2 LIGHT PIPES | 2007562-3 |
| | | INNER 2 LIGHT PIPES | 2007562-2 |
| | | 4 LIGHT PIPES | 2007562-1 |

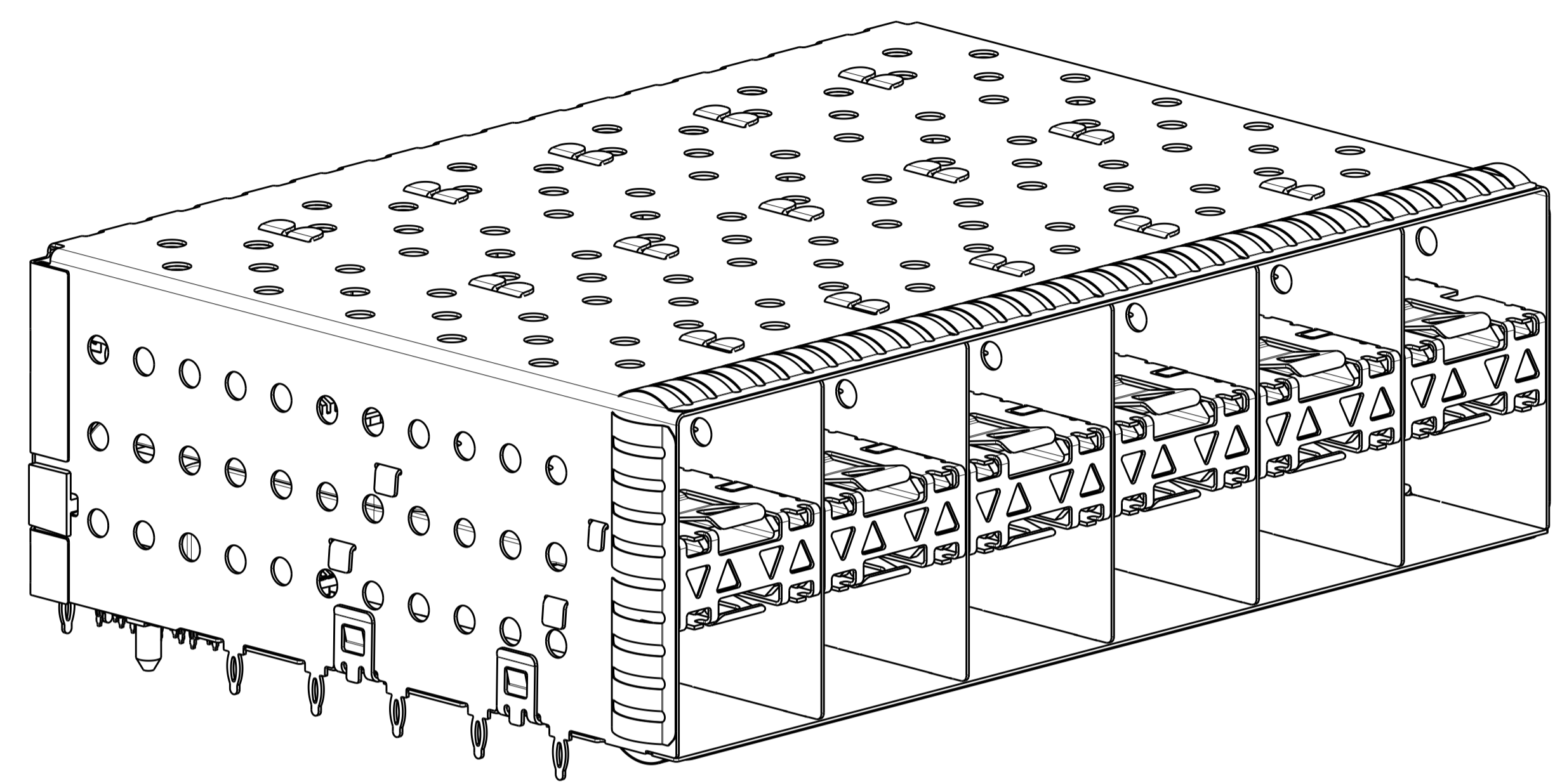
THIS DRAWING IS A CONTROLLED DOCUMENT. DIMENSIONING AND TOLERANCING PER ASME Y14.5M-2009.

STE TE Connectivity

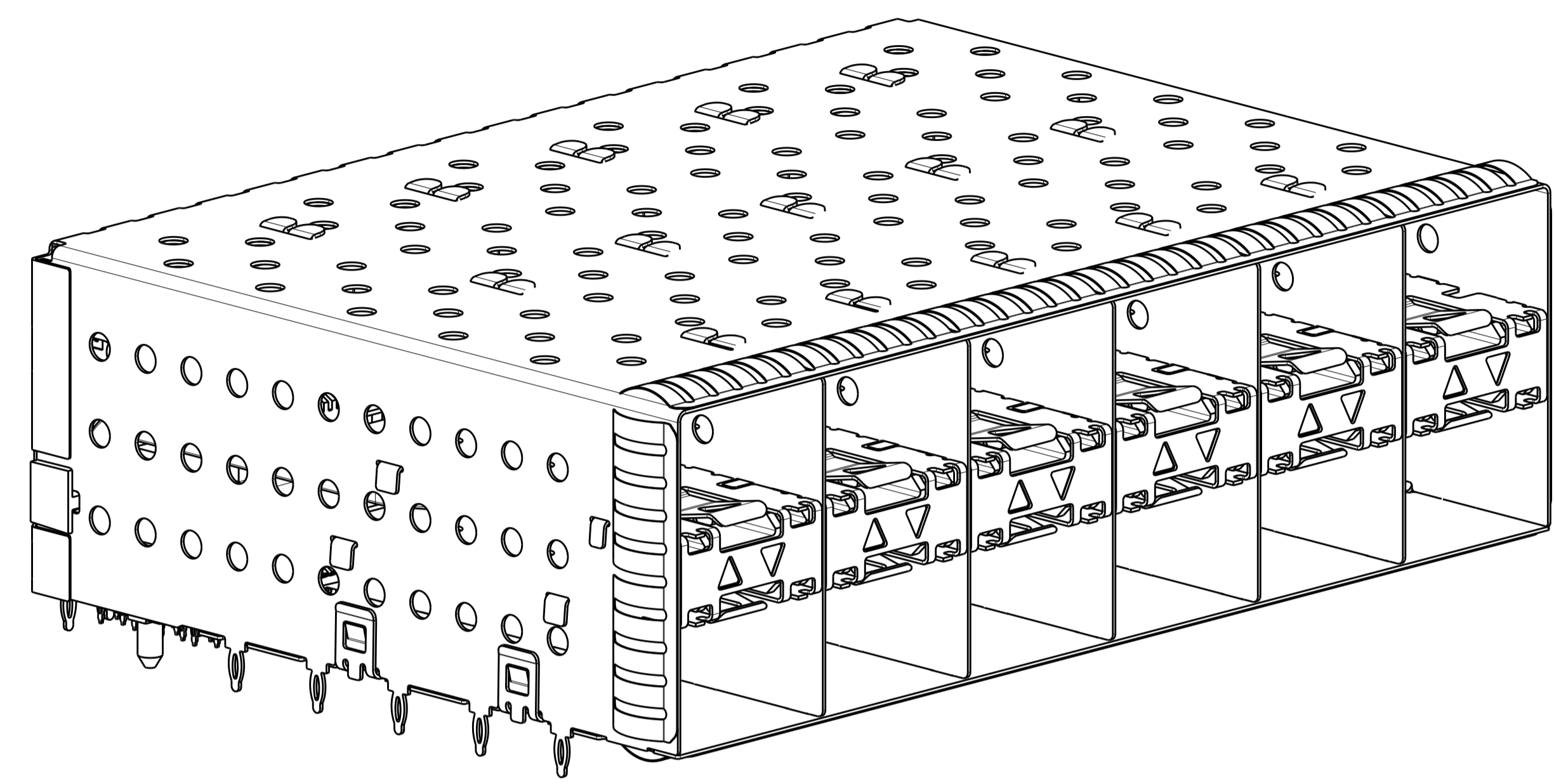
CAGE AND PT CONNECTOR ASSEMBLY, WITH EMI SPRINGS, PRESS FIT, 2X6, STACKED SFP+

SCALE: 4:1 SHEET 1 OF 4 REV C1

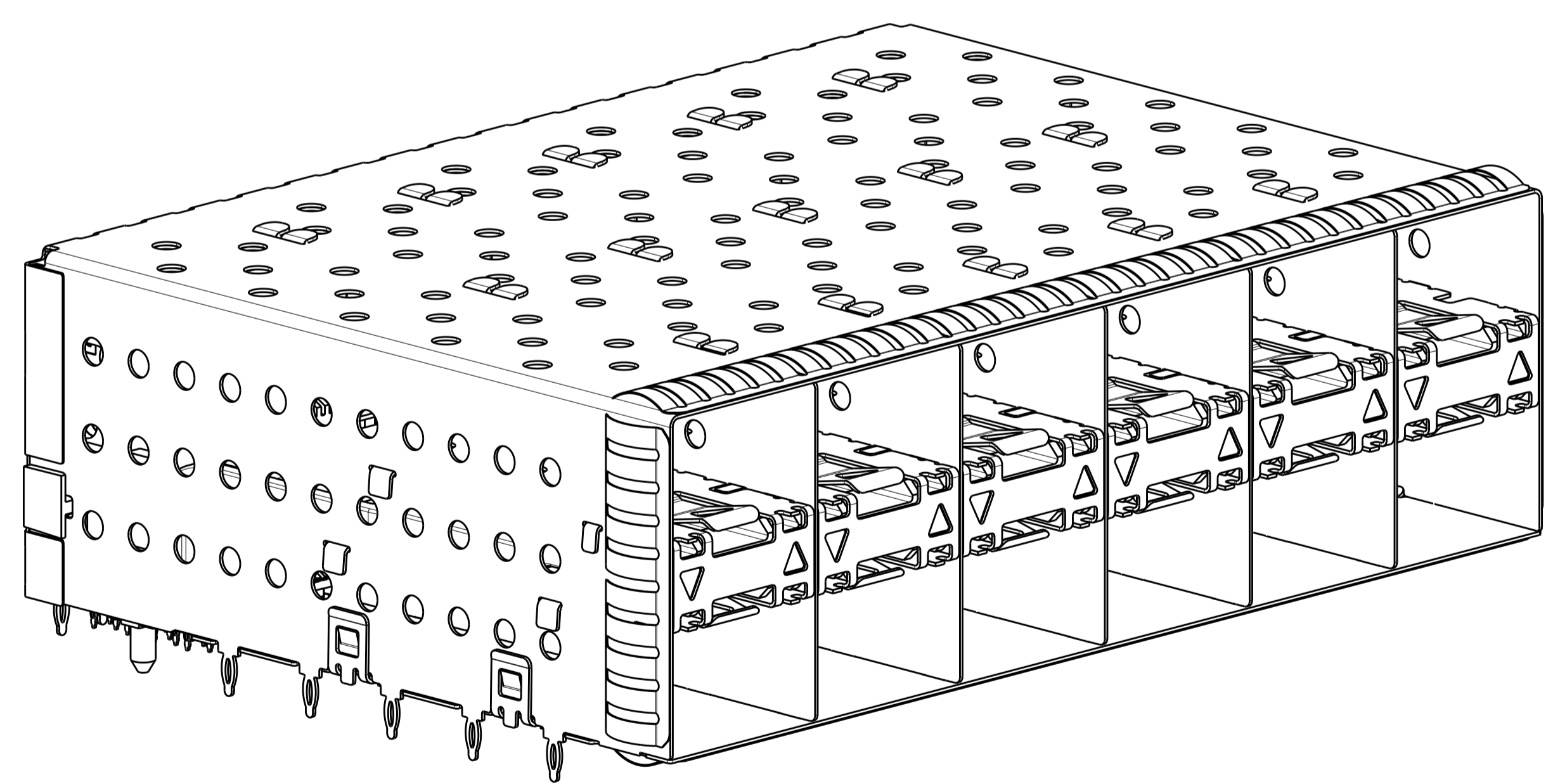
| LOC | | DIST | | REVISIONS | | | |
|-----|----|------|-----|-------------|------|-----|------|
| GP | 00 | P | LYN | DESCRIPTION | DATE | DWN | APVD |
| | | | | SEE SHEET 1 | | | |
| | | | | | | | |
| | | | | | | | |



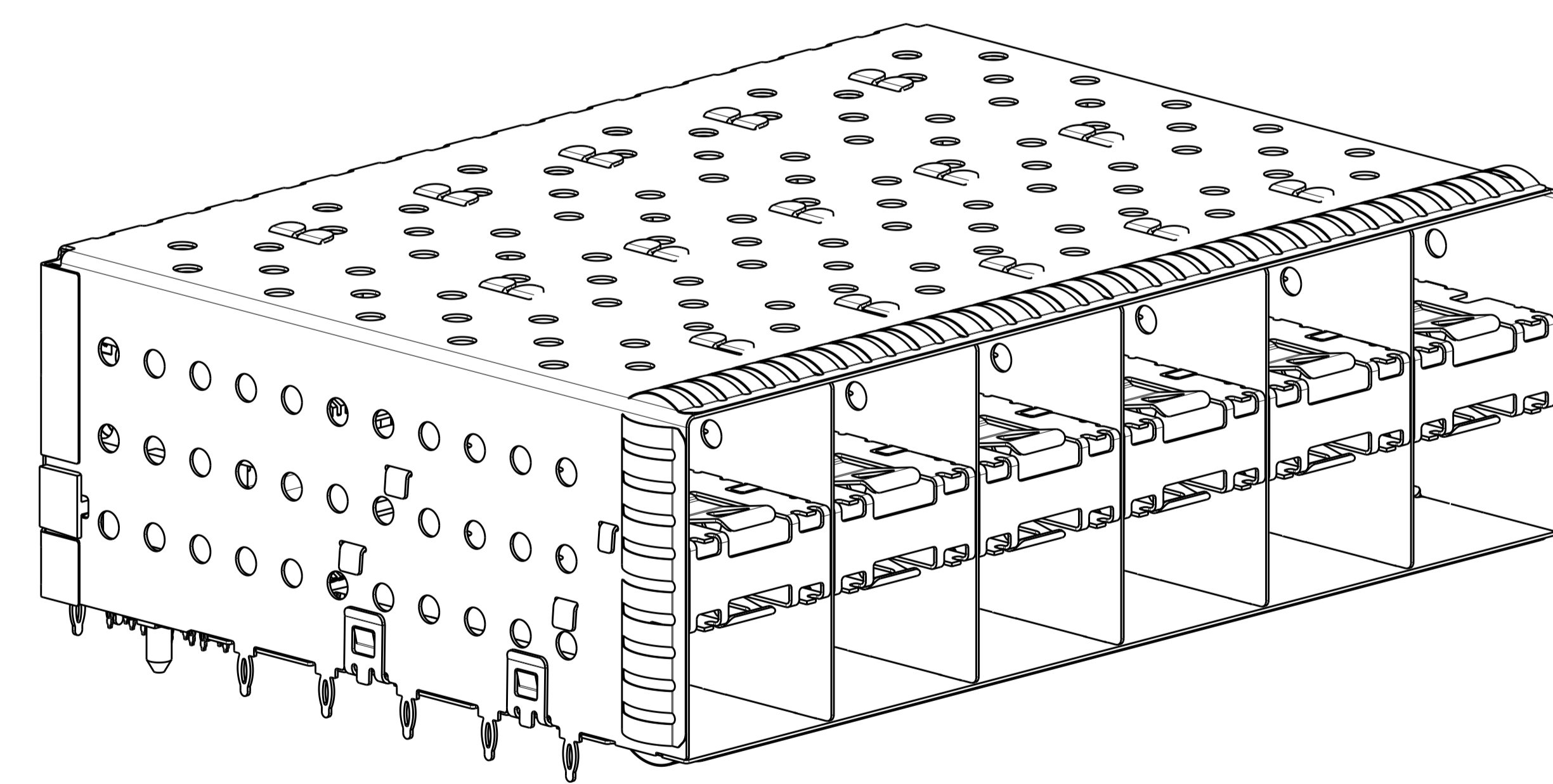
2007562-1, 2007562-5 AND 1-2007562-5
 SCALE 3:1



2007562-2, 2007562-6 AND 1-2007562-6
 SCALE 3:1



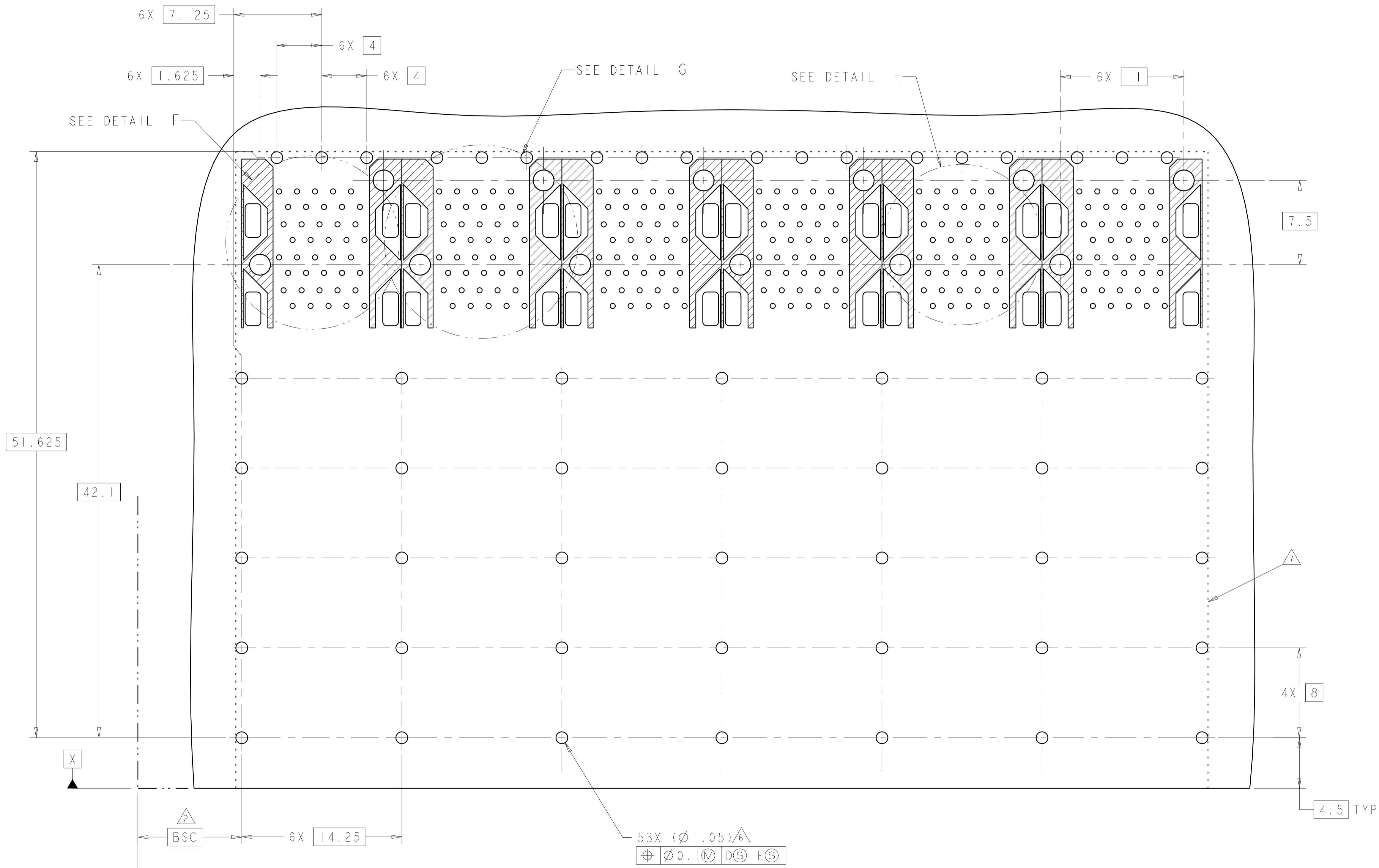
2007562-3, 2007562-7 AND 1-2007562-7
 SCALE 3:1



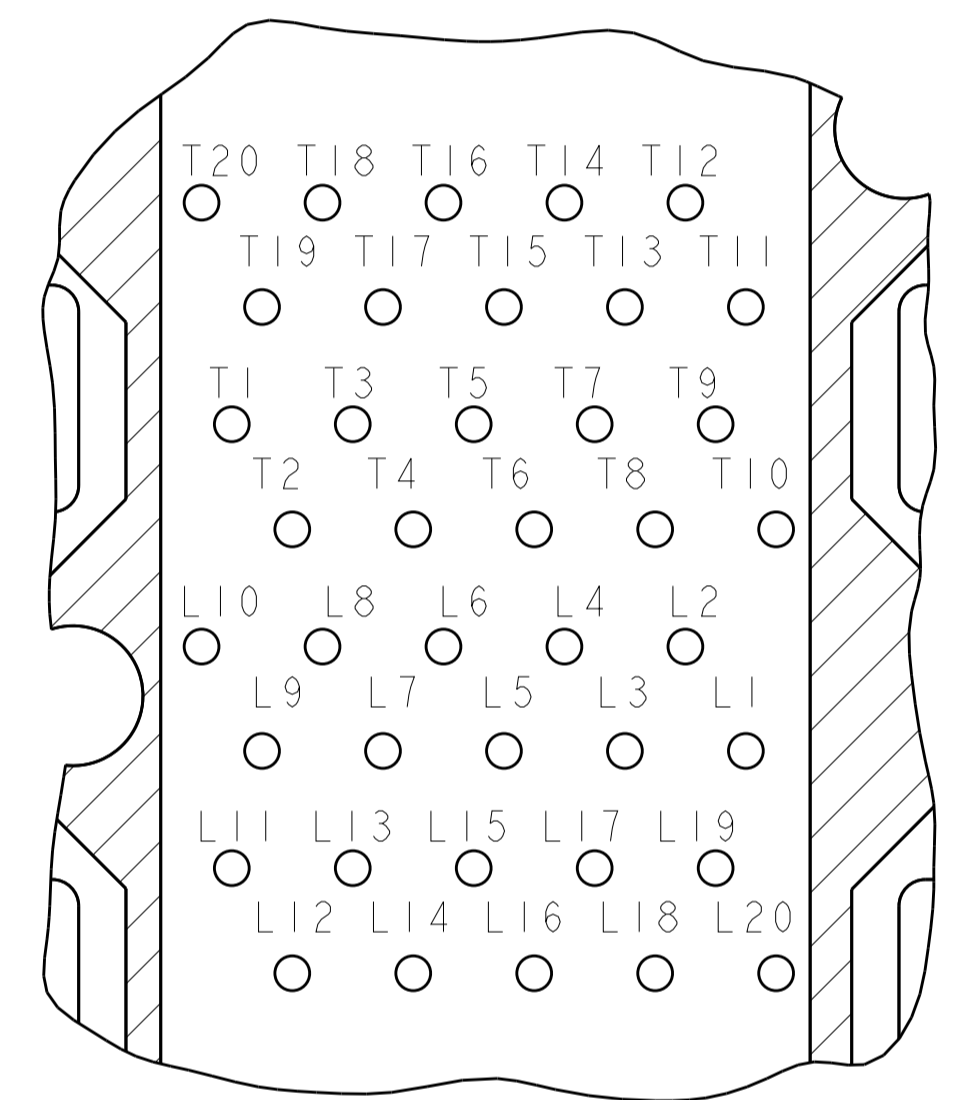
2007562-4, 2007562-8 AND 1-2007562-8
 SCALE 3:1

| | | | |
|------------------------------------------------------------------------------------------|--------|----------------------------------|-----------------------------------------------------------------------------------------------------------------|
| THIS DRAWING IS A CONTROLLED DOCUMENT. DIMENSIONING AND TOLERANCING PER ASME Y14.5M-2009 | | DWN M. SHIRK 14JAN2008 | TE Connectivity NAME CAGE AND PT CONNECTOR ASSEMBLY, WITH EMI SPRINGS, PRESS FIT, 2X6, STACKED SFP+ |
| DIMENSIONS: mm | | CHK D. SZCZESNY 14JAN2008 | |
| TOLERANCES UNLESS OTHERWISE SPECIFIED: | | APVD D. SZCZESNY 14JAN2008 | PRODUCT SPEC |
| 0 PLC | ±0.10 | 108-2331 | APPLICATION SPEC |
| 1 PLC | ±0.10 | 114-13219 | SIZE |
| 2 PLC | ±0.10 | WEIGHT | CAGE CODE |
| 3 PLC | ±0.10 | | DRAWING NO |
| 4 PLC | ±0.10 | | RESTRICTED TO |
| ANGLES | ±° | | A100779C=2007562 |
| MATERIAL | FINISH | | SCALE 4:1 SHEET 2 OF 4 REV C1 |
| CUSTOMER DRAWING | | | |

| LOC | DIST | REVISIONS | | | |
|-----|------|-------------|------|-----|------|
| P | LTN | DESCRIPTION | DATE | DWN | APVD |
| - | - | SEE SHEET 1 | - | - | - |



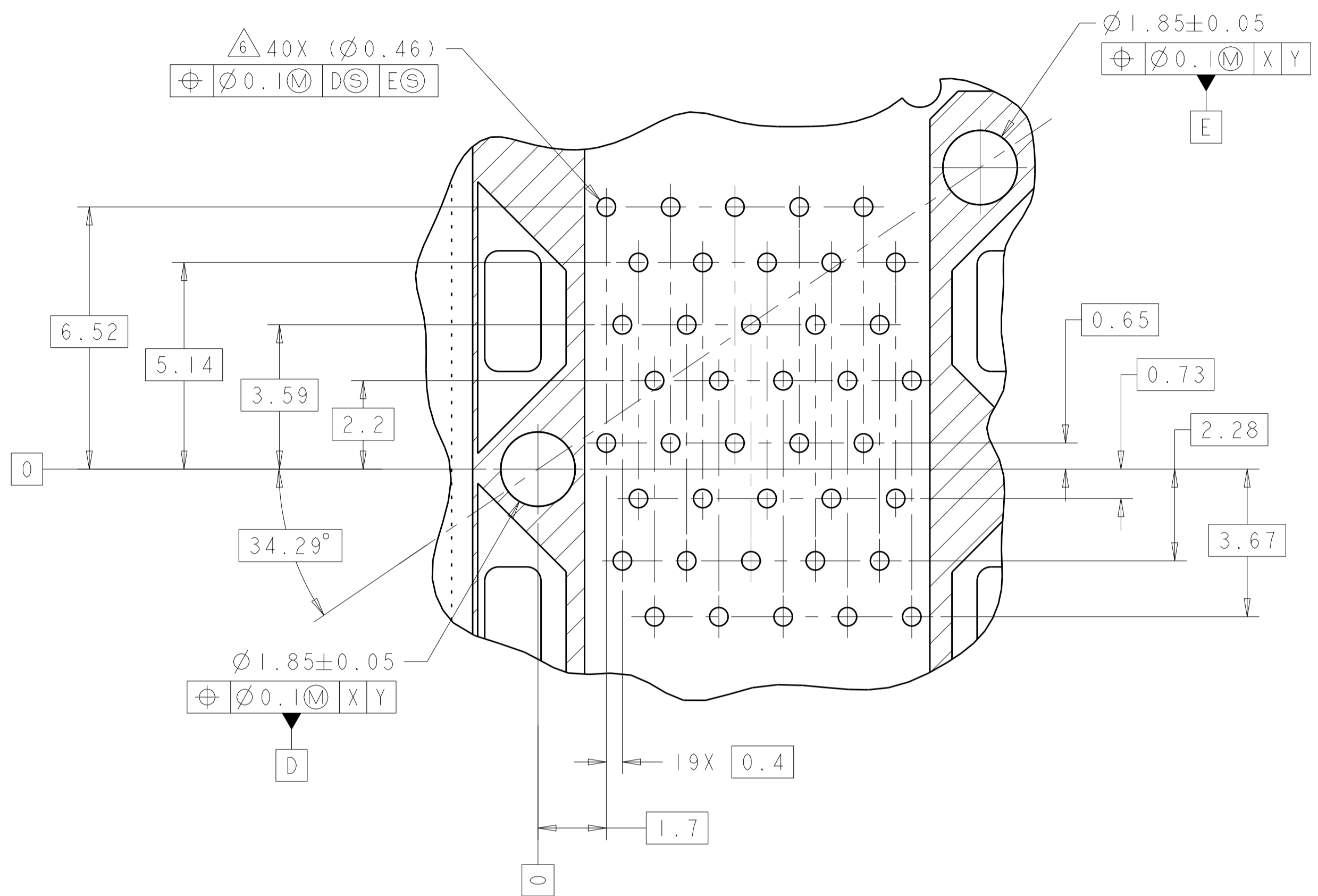
RECOMMENDED PCB LAYOUT
COMPONENT SIDE OF BOARD
SCALE 5:1



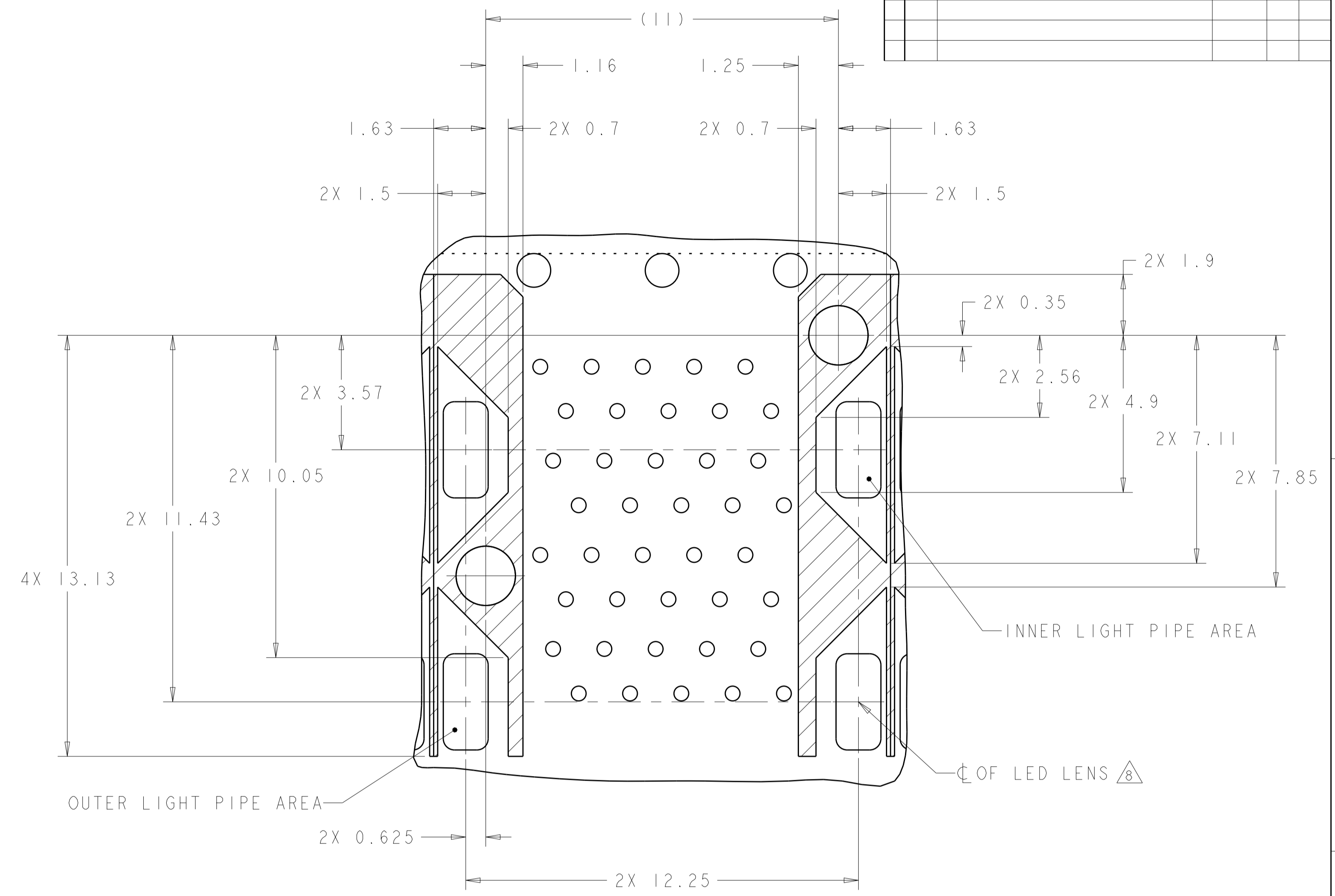
DETAIL H
CONNECTOR PIN-OUT
COMPONENT SIDE OF BOARD
6X INDIVIDUALLY
SCALE 10:1

| | | | |
|-------------------------------------------------------------------------------------------|--|-----------------------------|-------------------------------------------------------------------------------------------------------------------------------------------------------|
| THIS DRAWING IS A CONTROLLED DOCUMENT. DIMENSIONING AND TOLERANCING PER ASME Y14.5M-2009. | | DWN: M. SHIRK 14JAN2008 | TE Connectivity |
| DIMENSIONS: mm | | CHK: D. SZCZESNY 14JAN2008 | |
| TOLERANCES UNLESS OTHERWISE SPECIFIED: | | APVD: D. SZCZESNY 14JAN2008 | NAME: CAGE AND PT CONNECTOR ASSEMBLY, WITH EMI SPRINGS, PRESS FIT, 2X6, STACKED SFP+ SIZE: CAGE CODE DRAWING NO. RESTRICTED TO A100779C=2007562 |
| 0 PLC ±0.10 | | PRODUCT SPEC: 108-2331 | |
| 1 PLC ±0.10 | | APPLICATION SPEC: 114-13219 | |
| 2 PLC ±0.10 | | WEIGHT: - | |
| 3 PLC ±0.10 | | MATERIAL: - | SCALE: 4:1 |
| 4 PLC ±0.10 | | FINISH: - | SHEET 3 OF 4 |
| ANGLES: ±° | | CUSTOMER DRAWING | REV: C1 |

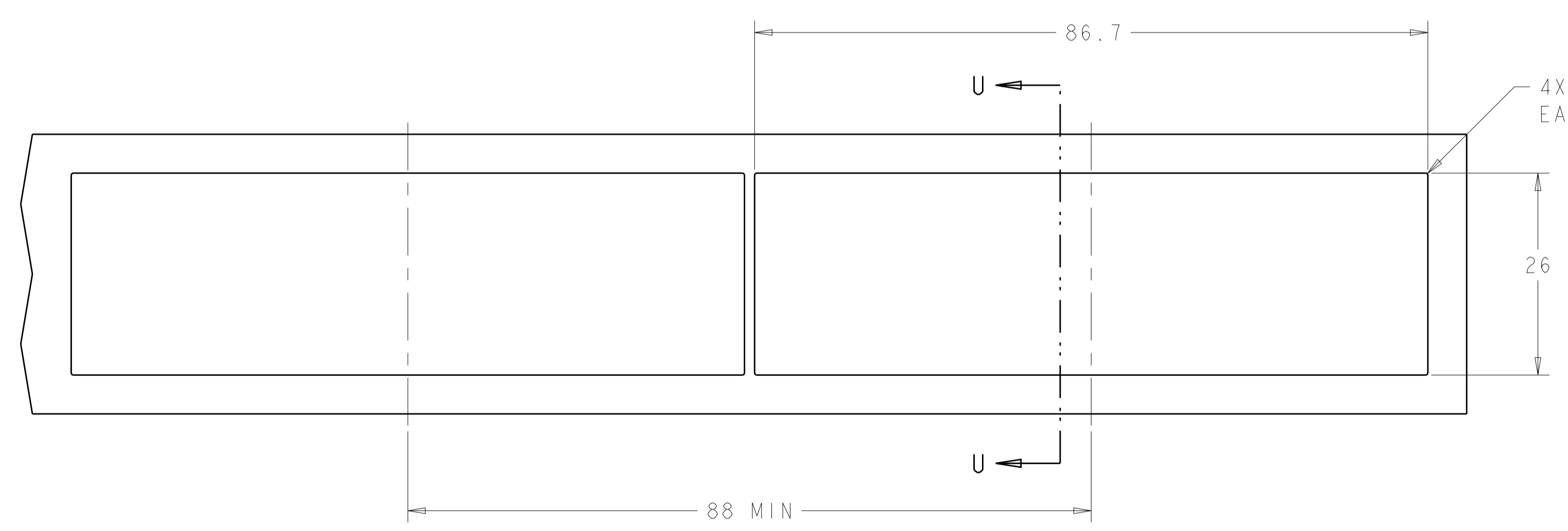
| LOC | DIST | REVISIONS | | | |
|-----|------|-----------|-------------|----|------|
| GP | 00 | REV | DATE | BY | APPV |
| | | 1 | SEE SHEET 1 | | |



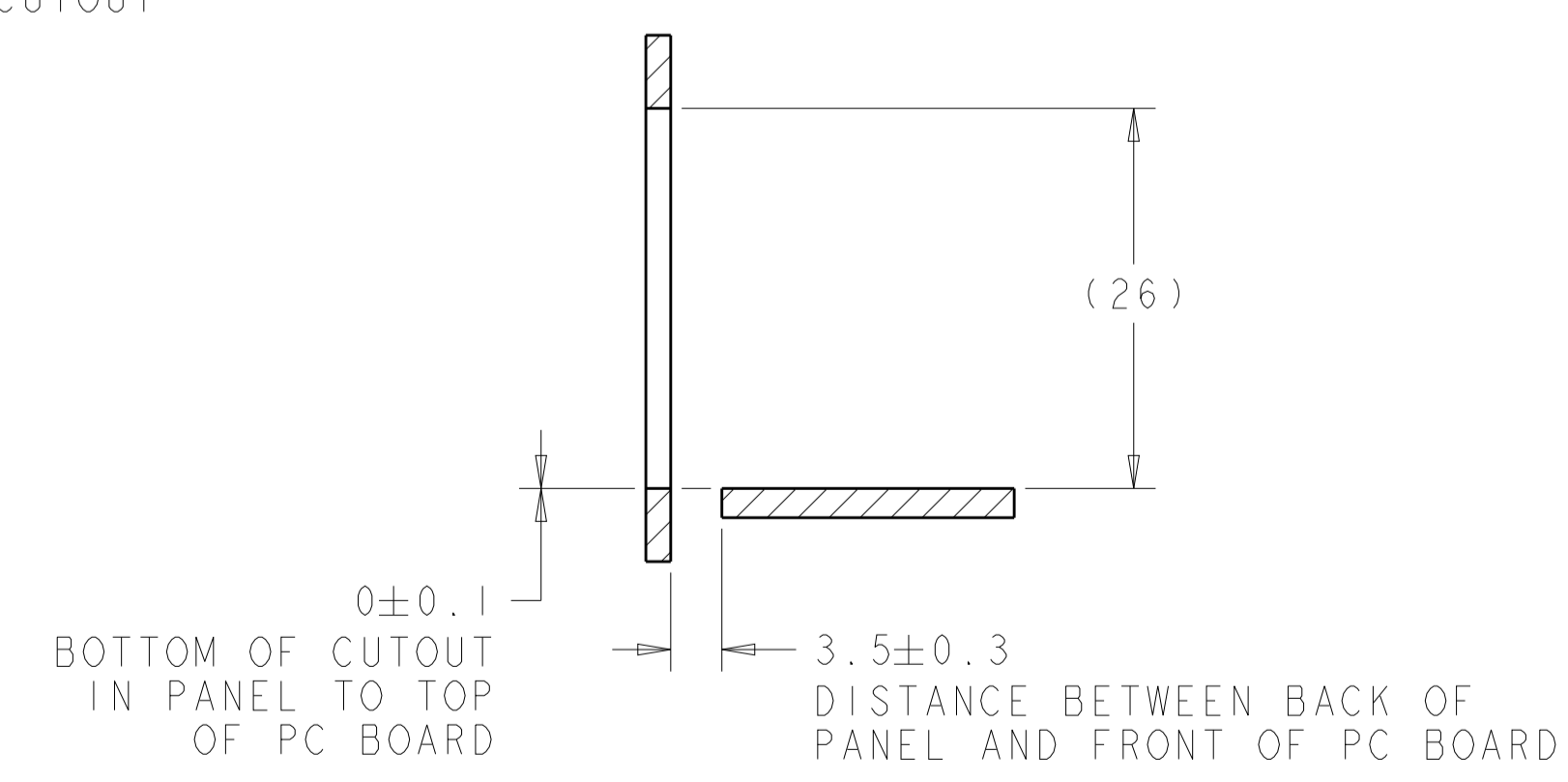
DETAIL F
 6X INDIVIDUALLY
 SCALE 10:1



DETAIL G
 CONNECTOR HOUSING
 KEEPOUT ZONE
 6X INDIVIDUALLY
 SCALE 10:1



RECOMMENDED PANEL CUTOUT
 AND PC BOARD, PANEL POSITION
 SCALE 2:1



SECTION U-U

| | | | |
|-------------------------------------------------------------------------------------------|--------------------------------------------------------------------------------------------------------------------------------|--------------------------------------------------------------------------------------------------------------------------------------------------------------------------------|-----------------|
| THIS DRAWING IS A CONTROLLED DOCUMENT. DIMENSIONING AND TOLERANCING PER ASME Y14.5M-2009. | | DWN: M. SHIRK 14JAN2008 CHK: D. SZCZESNY 14JAN2008 APVD: D. SZCZESNY 14JAN2008 | TE Connectivity |
| DIMENSIONS: mm | TOLERANCES UNLESS OTHERWISE SPECIFIED: 0 PLC ±0.10 1 PLC ±0.10 2 PLC ±0.10 3 PLC ±0.10 4 PLC ±0.10 ANGLES ±° | NAME: CAGE AND PT CONNECTOR ASSEMBLY, WITH EMI SPRINGS, PRESS FIT, 2X6, STACKED SFP+ PRODUCT SPEC: 108-2331 APPLICATION SPEC: 114-13219 WEIGHT: - CUSTOMER DRAWING | |